

FEATURES

- UL. Listed, File #S405, Standard #864 under the MPC-2000 System Control Unit
- CSFM. Listed #7165-065:123 under the MPC-2000
- BSA. Approved, calendar #524-77-SA under the MPC-2000
- Dual auxiliary relays, software programmable
- 5 Amp. @ 30 VAC/VDC dry form "C" contacts
- Custom labeling area per relay on module
- IBEW./USA. Crafted



GENERAL

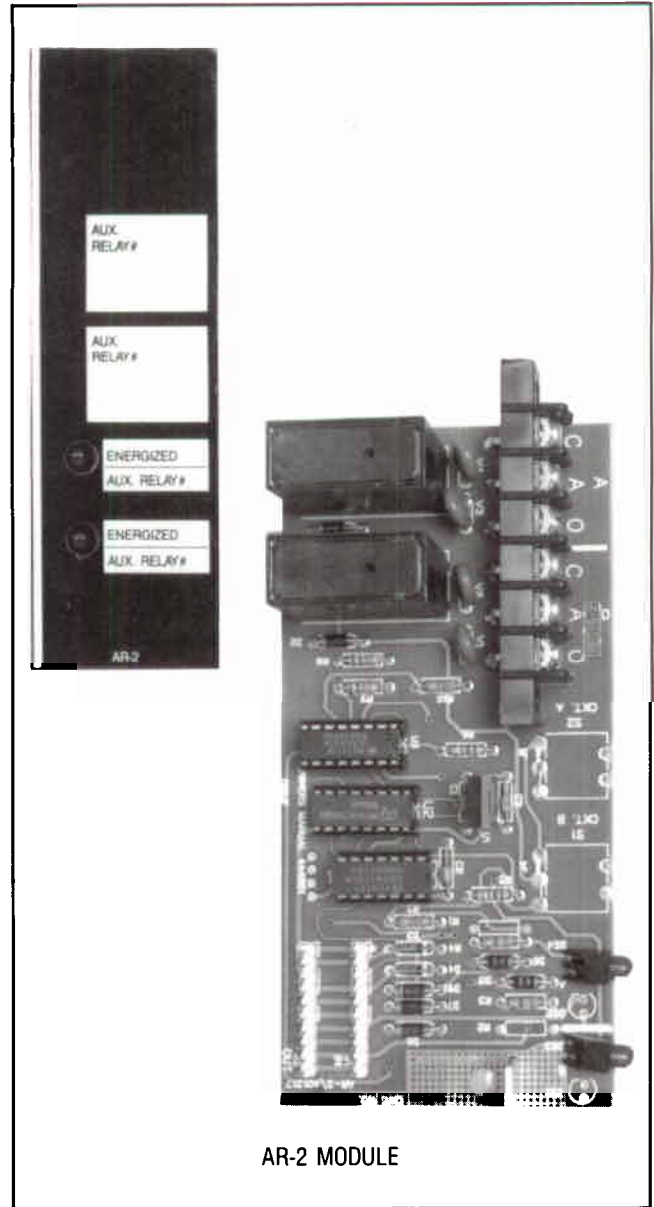
The AR-2 relay module provides a versatile selection of contact configurations to control field mounted devices. These relays can be used to selectively control functions such as door release, elevator recall, other alarm equipment, annunciators, etc. The AR-2 relay modules may be individually programmed thru system software to operate upon zone and system alarm(s) and trouble(s). Timing software for delay on operation and automatic timed deactivation may be utilized. Each module contains two individually programmable relays each with one form "C" (Arm./N.O./N.C.) contact. Each relay has an individual red "energized" status LED associated with it.

DESCRIPTION

The AR-2 conventional auxiliary relay module provides two independent programmable relays each with one dry "C" form contact rated at 5 Amp. @ 30 VAC/VDC. The contact provides armature, normally open and normally closed outputs. All terminations are made via pressure type screw terminals.

TECHNICAL DATA

Power Provision	None - switching circuit voltage must be furnished to the dry armature from a separate power source.
Power Consumption	Each relay: Alarm-.040 Amp. @ 24 VDC Standby-.005 Amp. @ 24 VDC
Space Provision	None
Space Consumption	(1) Module space
Channel Provision	None



AR-2 MODULE

Channel Consumption

(2) Circuits on the conventional output channel (programmed alarm formats only)

OR

(1) Module on the miscellaneous channel (system alarm/trouble, alarm verification, processor failure or code condition/ first round of code assignments only)

ORDERING INFORMATION

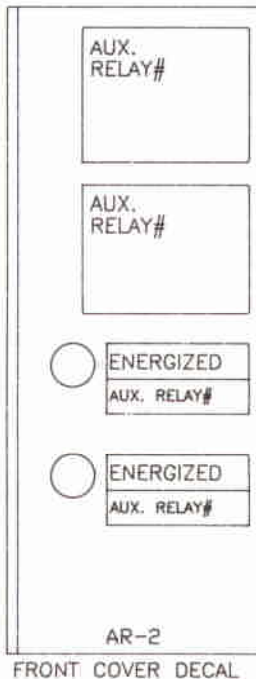
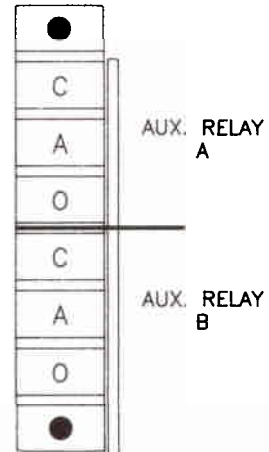
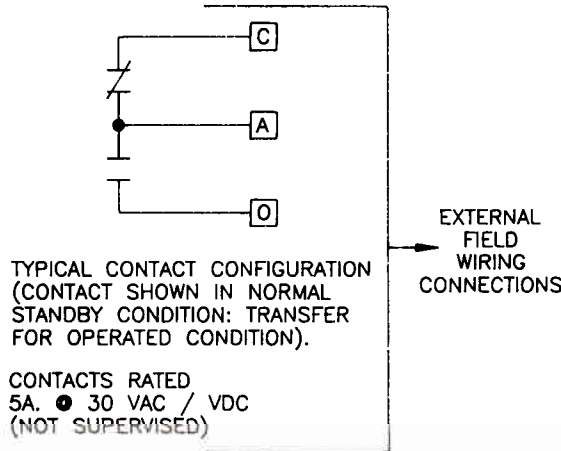
<u>Model #</u>	<u>Part #</u>	<u>Description</u>
AR-2	401317	Conventional Dual Auxiliary Relay Module

TYPICAL WIRING FOR CAT. NO. AR-2 / PART NO. 401317 CONVENTIONAL DUAL AUXILIARY RELAY

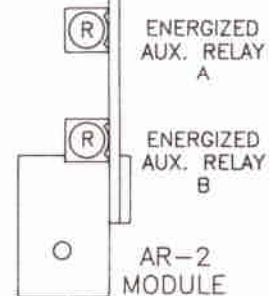
MODULE POWER CONSUMPTION REQUIREMENTS:
ALARM - .075 AMP.
NORMAL - .010 AMP.

SEE OWNERS MANUAL (P/N 444851A)
FOR TYPICAL CABLE HOOK-UP DIAGRAM
FOR MPC-2000 FIRE ALARM SYSTEM
CONTROL UNIT

SPACE REQUIREMENTS:
MODULE - 1
TRANSFORMER - 0



WHEN USED ON A MISCELLANEOUS
CHANNEL, DIODE D9 MUST BE REMOVED
UNLESS RELAY "A" IS PROGRAMMED
FOR A SYSTEM TROUBLE



These instructions do not purport to cover all the details or variations in the equipment described, nor do they provide for every possible contingency to be met in connection with installation, operation and maintenance. All specifications subject to change without notice. Should further information be desired or should particular problems arise which are not covered sufficiently for the purchaser's purposes, the matter should be referred to FARADAY INC., Tecumseh, Michigan.