

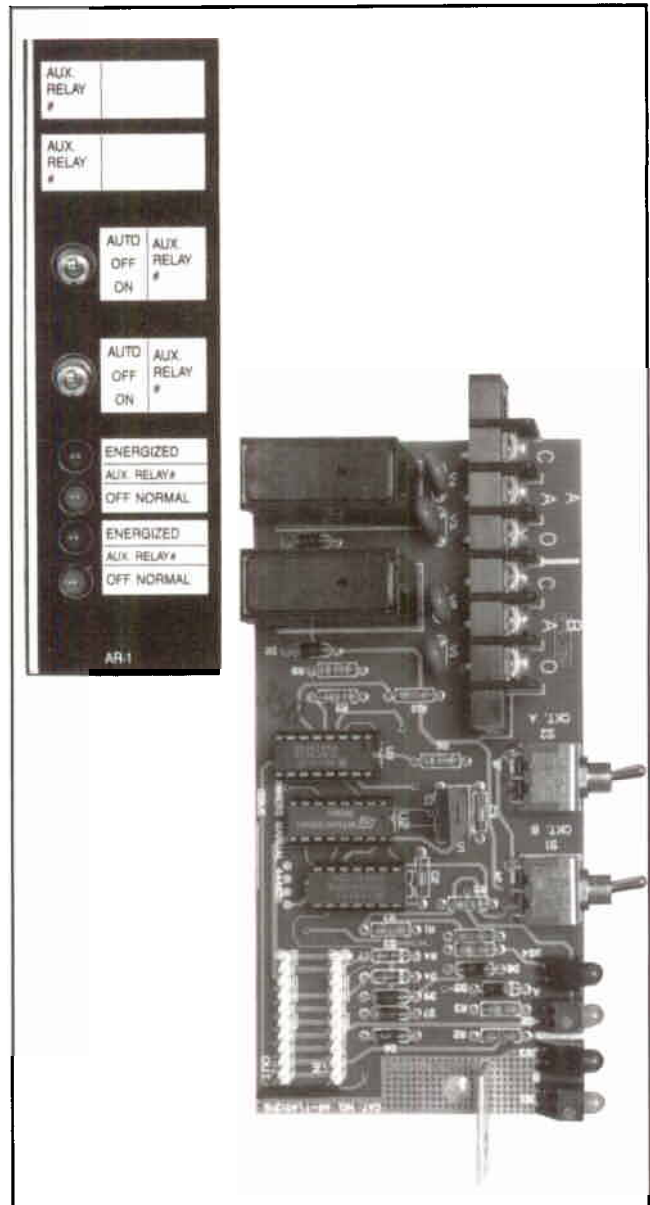
FEATURES

- UL. Listed, File #S405, Standard #864 under the MPC-2000 System Control Unit
- CSFM. Listed #7165-065:123 under the MPC-2000
- Dual auxiliary relays, software programmable
- 5 Amp. @ 30 VAC/VDC dry form "C" contacts
- On/off/automatic switch per relay
- On/off indications per relay
- Custom labeling area per relay on module
- IBEW./USA. Crafted



GENERAL

The AR-1 relay module provides a versatile selection of contact configurations to control field mounted devices. These relays can be used to selectively control functions such as door release, damper control, fan shut down, elevator recall, etc. The AR-1 relay modules may be individually programmed thru system software to operate upon zone alarm(s) and with delay on operation or automatic timed deactivation. Each module contains two individually programmable relays each with one "C" form (Arm./N.O./N.C.) contact. Each relay has an associated on/off/automatic switch. The "on" position forces the relay to manually transfer. The "off" position manually inhibits the relay from operating or deactivates the relay if it has already operated. The "automatic" (normal) position allows the relay to automatically follow it's programmed operation(s) via system software. Each relay also has associated status indications so that the operator can determine which state the relay is in. An individual red "energized" LED and yellow "off normal" LED is provided.



DESCRIPTION

The AR-1 auxiliary relay module provides two independent programmable relays each with one dry "C" form contact rated at 5 Amp. @ 30 VAC/VDC. The contact provides armature, normally open and normally closed outputs. All terminations are made via pressure type screw terminals.

ORDERING INFORMATION

Model #	Part #	Description
AR-1	401316	Dual Auxiliary Relay Module

TECHNICAL DATA

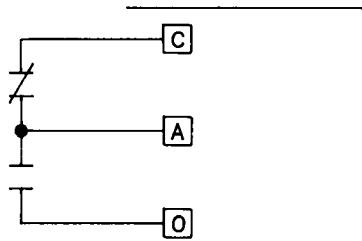
Power Provision	None - switching circuit voltage must be furnished to the dry armature from a separate power source.
Power Consumption	Each relay: Alarm-.040 Amp. @ 24 VDC Standby-.005 Amp. @ 24 VDC
Space Provision	None
Space Consumption	(1) Module space
Channel Provision	None
Channel Consumption	(2) Circuits on the output channel (programmed alarm formats only)

TYPICAL WIRING FOR CAT. NO. AR-1 / PART NO. 401316 DUAL AUXILIARY RELAY

MODULE POWER CONSUMPTION REQUIREMENTS:
 ALARM — .080 AMP.
 NORMAL — .010 AMP.

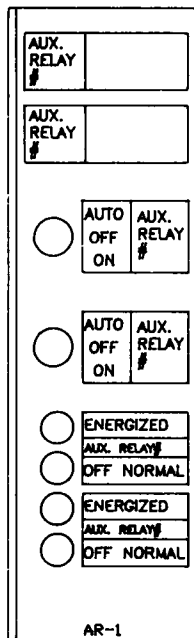
SEE OWNERS MANUAL (P/N 444851)
 FOR TYPICAL CABLE HOOK-UP DIAGRAM
 FOR MPC-2000 FIRE ALARM SYSTEM
 CONTROL UNIT

SPACE REQUIREMENTS:
 MODULE — 1
 TRANSFORMER — 0

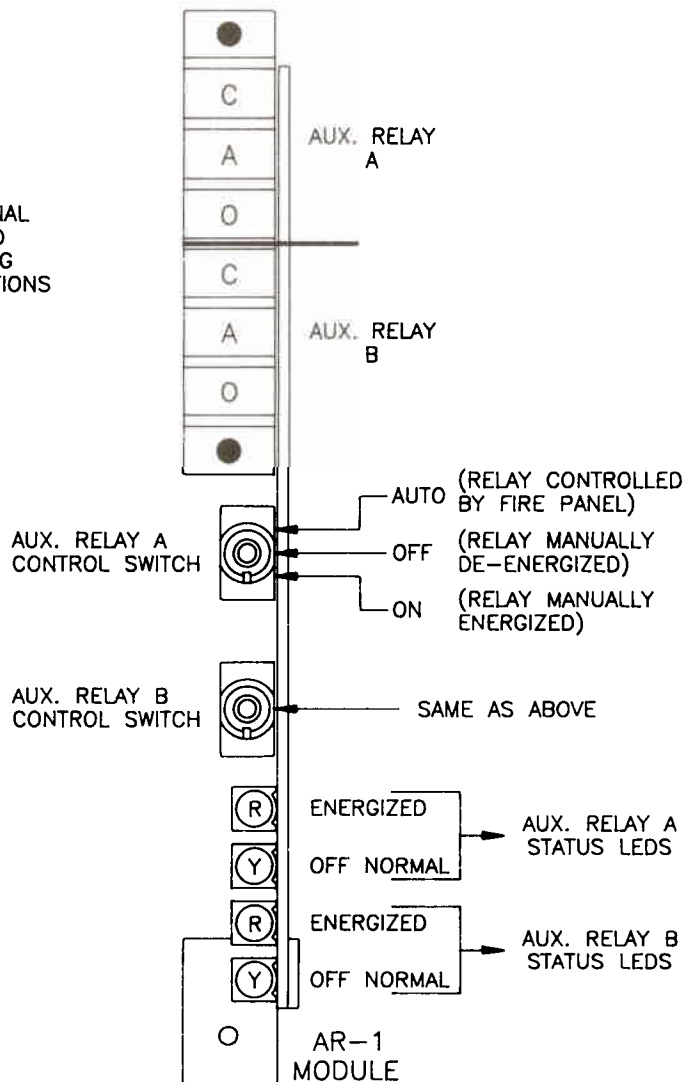


TYPICAL CONTACT CONFIGURATION
 (CONTACT SHOWN IN NORMAL STANDBY
 CONDITION: TRANSFER FOR OPERATED
 CONDITION).

CONTACTS RATED
 5A. ● 30 VAC / VDC
 (NOT SUPERVISED)



FRONT COVER DECAL



WARNING - The information contained in this document is intended only as a summary and is subject to change without notice. The devices described in this document have specific instruction sheets which cover various technical, limitation and liability information. Copies of these instruction sheets and the General Product Warning and Limitations Document, which also contains important information, are provided with the product and are available from the Manufacturer. Information contained in these documents should be consulted before specifying or using the product. For further information or assistance concerning particular problems contact the Manufacturer.